

# CM-610Max

COMBINED TYPE AUTOMATIC ROUTER MACHINE



- ◆ Upper dust collector
- ◆ Magnetic thimble
- ◆ Double drawer worktable
- ◆ Ultra low noise

Milling type PCB router with high precision and cleanliness, dual parallel work platforms and single spindle

## Product overview

- ◆ Low footprint, drawer type platform is designed to avoid pollution of the cleanliness room.
- ◆ Top side dust collection, the noise is about 65 decibels.
- ◆ Development based on RM and ARM platform easy to operate and maintenance.
- ◆ Application for 450 × 450mm PCBA, bigger size can be customized.
- ◆ Upgrade with robot to realize inline function. (option)

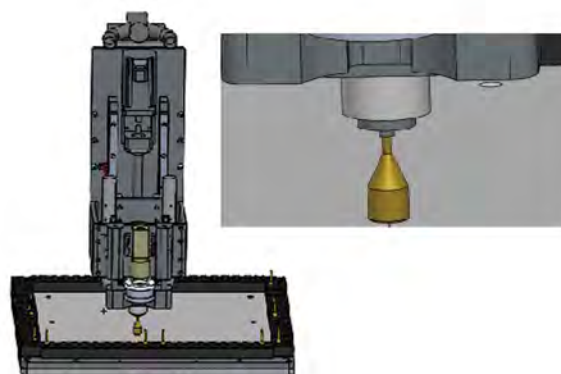
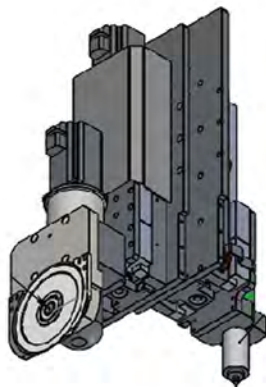
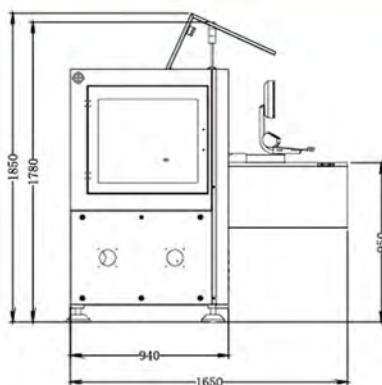
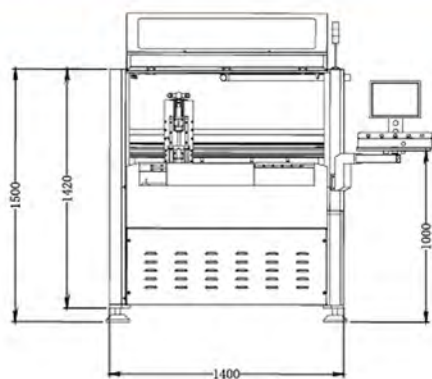


**STE.AL.TECH.**  
*Your ideal partner in electronic*



STE.AL.TECH. S.R.L. Via 2 Giugno 56, 23807 Merate (LC) - Tel. 039 9910404  
E-mail: [info@weldingtechnology.it](mailto:info@weldingtechnology.it) - Url: <http://www.weldingtechnology.it>

## Machine size



## Specification

Model	CM-610Max
Machine size	1400 X 1650 X 1500mm
Weight	Appro. 900Kg
PCB max. size	450 x 450mm
Min. size	5 x 5mm
PCB thickness	0.4-6mm
Work table height	950mm
Loading mode	Manual fetch and release
PCB positioning	Magnetic thimble or jig
Cutting spindle / speed	5000-60000 rpm
Cooling type	forced air cooling
Dust collection mode	Top dust collection
Cutting speed	1-100mm/s
Cutting accuracy	± 0.05mm
Router Bit Mode	∅0.8-∅3.0 Right rotation, Shank Tungsten Steel
Repeat accuracy	± 0.02mm
Coordinate moving speed	1000mm/s
Programing	Editing program through visual system
Air supply	5-8Kg/cm <sup>3</sup>
Power supply	AC220V ± 5%, 50/60Hz, 3KW
Management interface	MES system interface customized



**STE.AL.TECH.**  
Your ideal partner in electronic



STE.AL.TECH. S.R.L. Via 2 Giugno 56, 23807 Merate (LC) - Tel. 039 99 10404  
E-mail: [info@weldingtechnology.it](mailto:info@weldingtechnology.it) - Url: <http://www.weldingtechnology.it>